

## 6W Constant Current -SS Series

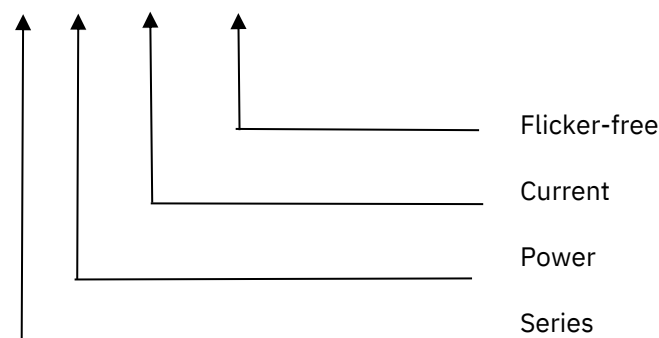


### Description

SS-6-XXX MB is a 6W constant current LED driver with 120 to 700mA output current. With its compact dimensions from 58.1 x 28.5 x 21 mm it is easy to integrate in LED spot, down light and Wall light products. To ensure trouble-free operation, protection is provided against output short circuit and over Load.

### Model code

SS-6-XXX MB



### Features

- Class II&I, SELV, built-in
- Input Voltage 220-240VAC
- Protections: SCP/OLP/OVP
- Power Factor 0.7C
- Efficiency  $\geq 76\%$
- 5 years warranty

### Applications

- LED spot light
- LED down light
- Wall light

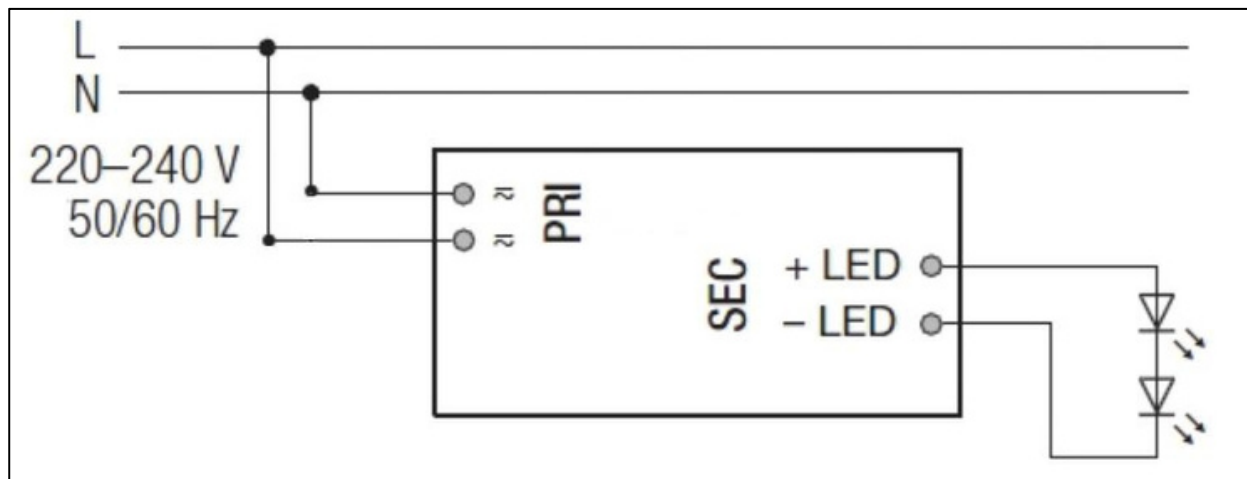
## Specification

Output	Constant Current	120mA	150mA	200mA	250mA	...	700mA
	Voltage Range	20-40VDC	20-40VDC	15-30VDC	12-24VDC	...	2.8-9VDC
	Unload voltage Max.	59VDC	59VDC	45VDC	35VDC	...	25VDC
	Current Accuracy	±5%					
	Output HF current ripple(≥1KHz)	±5%					
	Output LF current ripple(≤120Hz)	±5%					
	SVM	≤0.4					
	Pst	≤1					
	Efficiency(Typ.)	≥76%					
Input	Rated input voltage	220-240VAC					
	Range of input voltage	198-264VAC					
	Frequency(Hz)	50/60Hz					
	Displacement factor	≥0.9					
	Power Factor	0.7C					
	Input Current max	0.11A					
	Start-up time	<0.5S					
	No Load Power	≤0.5W					
Protection	Over Load Protection	103-180%					
		YES/Auto Resume					
	Over Voltage Protection	>34VDC	>30VDC	>25VDC	>23VDC	...	>25VDC
		YES/Auto Resume					
	Short circuit Protection	YES/AutoResume					
Environment	Operating Temperature	-20°C~+50°C					
	Humidity	20%-90%RH					
	Tc	85°C					
	Storage Temperature	-25°C~+60°C					
	Lifetime	>30000h@Tc=50°C,230VAC					
Surface	Dimension	58.1X28.5X21(LXWXH)mm					
s tandards	EN61347-1; EN61347-2-13;EN62384; EN55015;EN61000-3-2 ;EN61000-3-3; EN61547;						
Others	ErP	EU2019/2020					
	RoHS	RoHS(2011/65/EU) (EU)2015/863					
Note	<p>1.All parameters NOT specially mentioned are measured at 240VAC input , full load and 25°C of ambient temperature.</p> <p>2.Ripple &amp; Noise are measured at 20MHz of bandwidth by using a 300mm twisted pair-wire terminated with a 0.1uF &amp; 47 uF parallel capacitor.</p>						

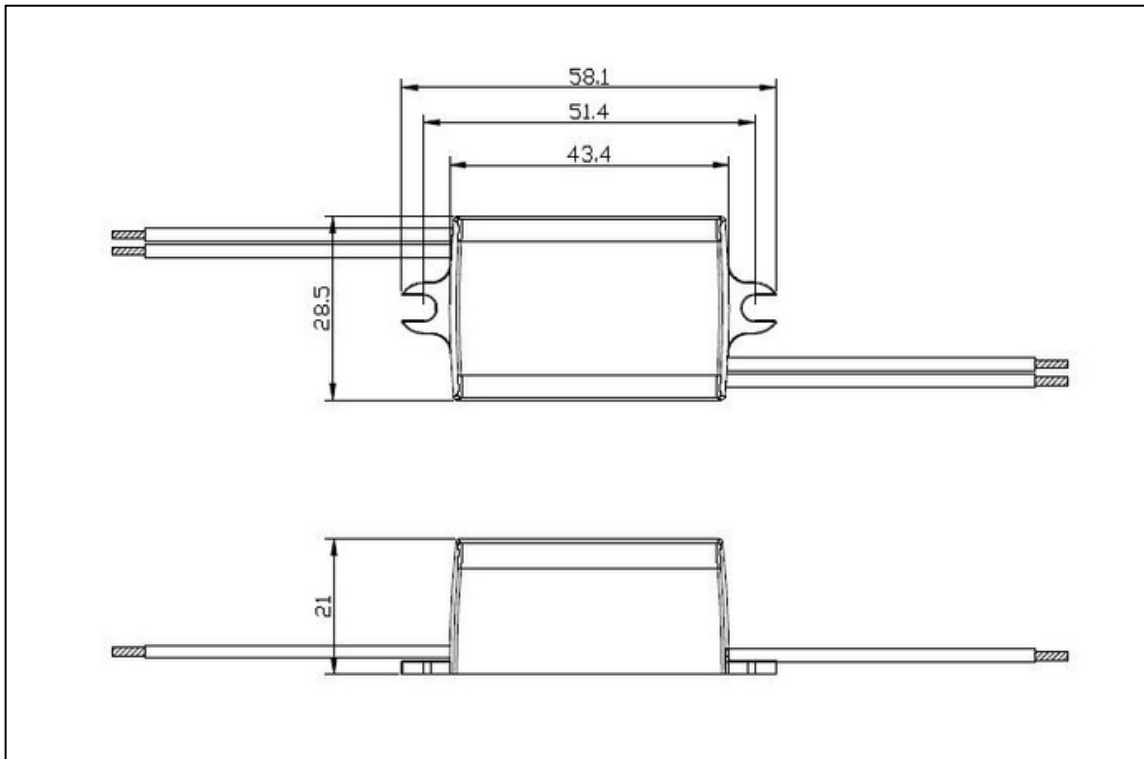
## Model list

No	Model number	Input			Output			
		Voltage (VAC)	Max.Current (A)	Frequency (Hz)	Constant current (mA)	Normal working voltage (VDC)	No load working voltage (VDC)	Max. Power(W)
1	SS-6-120 MB	220-240	0.11	50/60	120	20-40	59	4.8
2	SS-6-150 MB				150	20-40	59	6
3	SS-6-200 MB				200	15-30	45	6
4	SS-6-250 MB				250	12-24	35	6
5	SS-6-300 MB				300	10-20	34	6
6	SS-6-350 MB				350	8-20	30	7
7	SS-6-400 MB				400	8-15	25	6
8	SS-6-450 MB				450	7-13.5	24	6.1
9	SS-6-500 MB				500	6-12	23	6
10	SS-6-550 MB				550	5.5-11	22	6.1
11	SS-6-600 MB				600	5.5-10	25	6.2
12	SS-6-650 MB				650	5.5-9.5	25	6.2
13	SS-6-700 MB				700	2.8-9	25	6.3

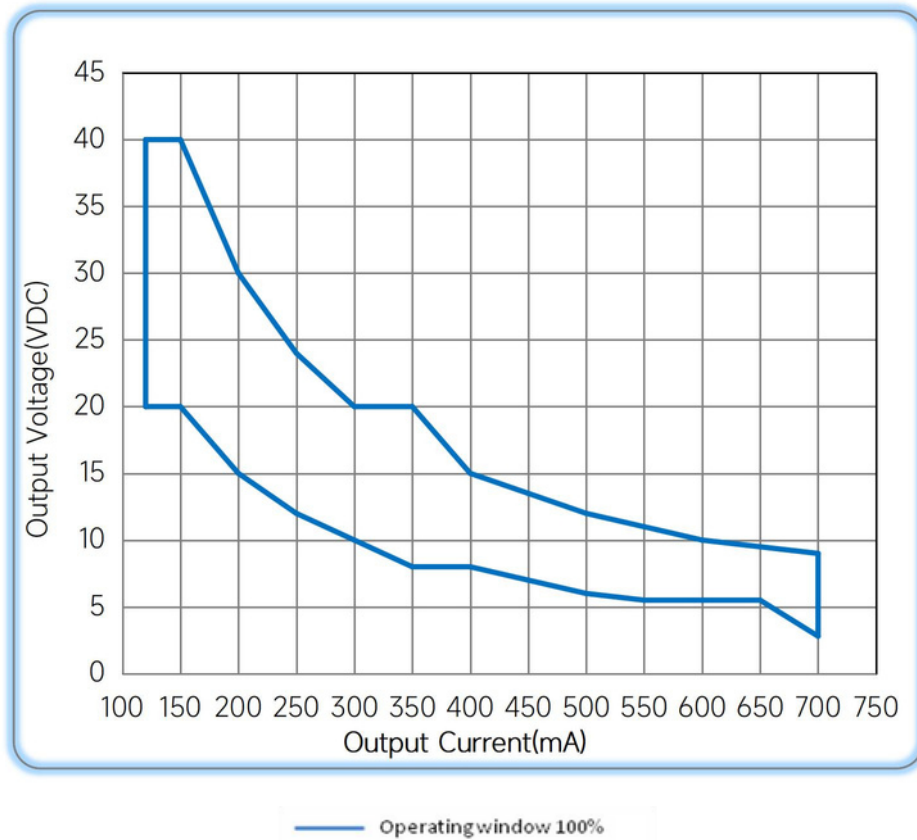
## Wiring diagram



2D diagram



## Operating window



## Revision Updates

ITEM	BEFORE	AFTER	VERSION	DATE
Initial			A	2022/05/15